

Product data sheet

Specifications

SQUARE D



Surge protection device, HEPD,
50kA, 120/240 V, 1 phase, 3 wire,
SPD type 1

HEPD50

Product availability: Stock - Normally stocked in distribution facility

Main

Product	Surge protection device
Range	Square D
Device Short Name	HEPD

Complementary

Voltage Rating	120/240 V AC
MCOV	150 V
SCCR	25 kA
Surge Current	40 kA per phase
Voltage Protection Rating	600 V L-N 600 V L - G 1000 V L - L 900 V N - G
Nominal Discharge Current	10 kA
Rated Current	10 kA
Number of Phases	1 phase
Wiring Configuration	3-wire (isolated ground)
Local Signalling	1 LED green normal operation
Product destination	Load center
Height	3.23 in (82.04 mm)
Width	3.72 in (94.49 mm)
Depth	2.10 in (53.34 mm)

Environment

Ambient Operating	-31...149 °F (-35...65 °C)
Enclosure Rating	NEMA 4X
Standards	UL 1449 CUL UL 1449:ed. 4: type II

Ordering and shipping details

Category	US1DE1B08461
Discount Schedule	DE1B
GTIN	785901006626
Returnability	Yes

Price is "List Price" and may be subject to a trade discount – check with your local distributor or retailer for actual price.

Country of origin	MX
-------------------	----

Packing Units

Unit Type of Package 1	PCE
------------------------	-----

Nbr. of units in pkg.	1
-----------------------	---

Package 1 Height	3.200 in (8.128 cm)
------------------	---------------------

Package 1 Width	5.900 in (14.986 cm)
-----------------	----------------------

Package 1 Length	8.000 in (20.320 cm)
------------------	----------------------

Package weight(Lbs)	14.400 oz (408.233 g)
---------------------	-----------------------

Unit Type of Package 2	CAR
------------------------	-----

Number of Units in Package 2	3
------------------------------	---

Package 2 Height	6.500 in (16.510 cm)
------------------	----------------------

Package 2 Width	8.600 in (21.844 cm)
-----------------	----------------------

Package 2 Length	11.000 in (27.940 cm)
------------------	-----------------------

Package 2 Weight	3.261 lb(US) (1.479 kg)
------------------	-------------------------

Contractual warranty

Warranty (in months)	18
----------------------	----



Environmental Data

Schneider Electric aims to achieve Net Zero status by 2050 through supply chain partnerships, lower impact materials, and circularity via our ongoing “Use Better, Use Longer, Use Again” campaign to extend product lifetimes and recyclability.

[Environmental Data explained >](#)

[How we assess product sustainability >](#)



Environmental footprint

Total lifecycle Carbon footprint	240 kg CO2 eq.
Carbon footprint of the manufacturing phase [A1 to A3]	3 kg CO2 eq.
Carbon footprint of the distribution phase [A4]	0.2 kg CO2 eq.
Carbon footprint of the installation phase [A5]	0 kg CO2 eq.
Carbon footprint of the use phase [B2, B3, B4, B6]	236 kg CO2 eq.
Carbon footprint of the end-of-life phase [C1 to C4]	0.9 kg CO2 eq.
Environmental Disclosure	Product Environmental Profile

Use Better



Materials and Substances

Packaging made with recycled cardboard	No
Packaging without single use plastic	Yes
EU RoHS Directive	Compliant By Exemption
REACH Regulation	Reference contains Substances of Very High Concern above the threshold
California proposition 65	WARNING: This product can expose you to chemicals including: Lead and lead compounds, which is known to the State of California to cause cancer and birth defects or other reproductive harm. For more information go to www.P65Warnings.ca.gov

Use Longer



Lifetime extension

Repair	No
--------	----

Use Again

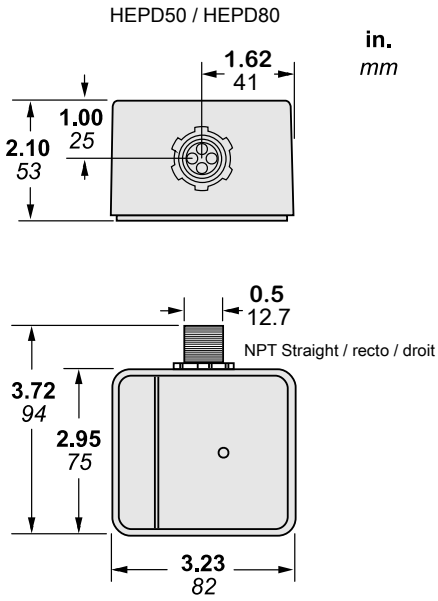


Repack and remanufacture

Recyclability potential, in %	9
Circularity Profile	End of Life Information
Take-back	Nej
WEEE Label	 The product must be disposed on European Union markets following specific waste collection and never end up in rubbish bins.

Technical Illustration

Dimensions

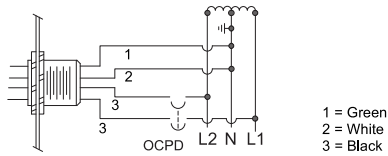


Technical Illustration

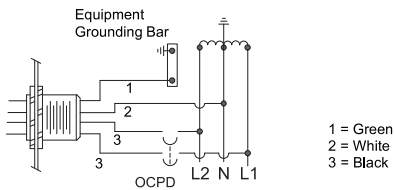
Wiring diagram

Typical AC Surge Module Wiring Connection Diagrams

Refer to document number NVE82551 for installation instructions.



Service Entrance without Grounding Bar
120/240 V 1Ø, 3-Wire Circuit
OCPD = Over Current Protection Device



Sub Panel or Service Entrance with Grounding Bar
120/240 V 1Ø, 3-Wire Circuit
OCPD = Over Current Protection Device